

13790510059

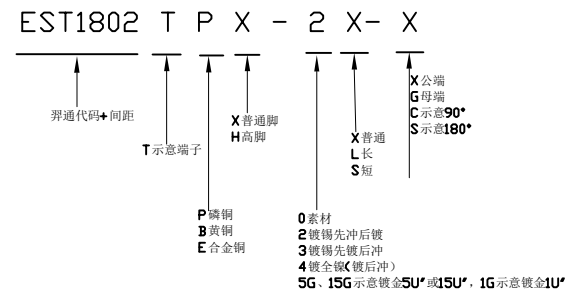
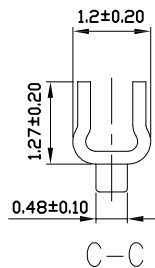
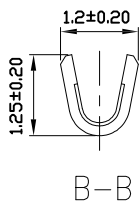
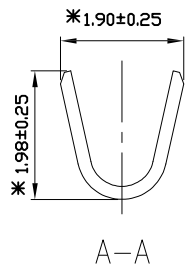
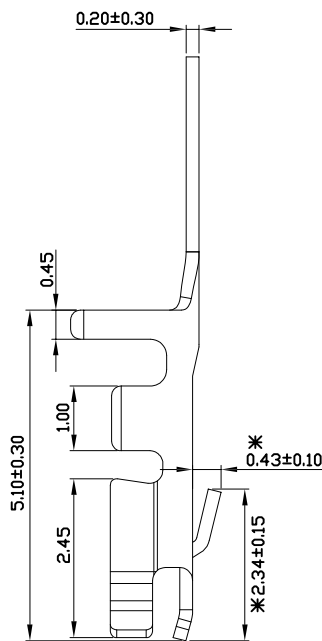
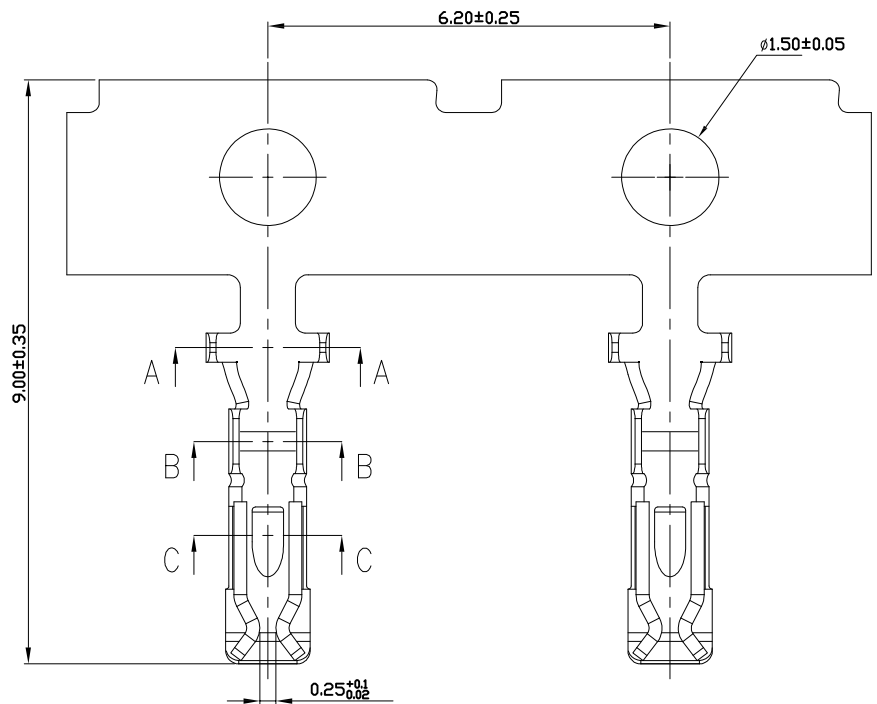
5

4

3

2

1



NOTES:

1. Material: Phosphor Bronze, T=0.20mm
2. Finish: Nickel 20u"~60u" Over All.
T-Tin 80u"~120u" Over Nickel
G-Gold Flash(0.8u") Over Nickel
3. Applicable Wire Range: AWG#22~#30
4. Insulation O.D.: 1.30mm (Max.)
5. Current Rating: 4A AC,DC
6. Voltage Rating: 350V AC,DC
7. Temperature Rang: -25°C~+85°C
8. Contact Resistance: 20mΩ Max
9. Insulation Resistance: 1000MΩ Min
10. Withstanding Voltage: 1700V AC/minute

EST 东莞市羿通实业有限公司
DGEASTOM DONGGUAN EASTOM ELECTRONIC Co., Ltd.

料号PART NO: EST1802TPX-2X-G

品名 TITLE: 1.8-T

材料: 单位: MM 包装规格: 比例: 1:1

制图: 审核: 核准: 日期: 2022. 4. 29

一般公差
GENERAL TOLERANCE
X.X ±0.25
X.XX ±0.20
ANGLE ±1°

日期版次 REVISION	日期 DATE	变更内容 DESCRIPTION	核 准 APPROVALBY



6

5

4

3

2

1

XR