

13790510059

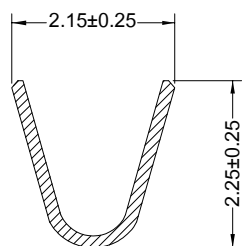
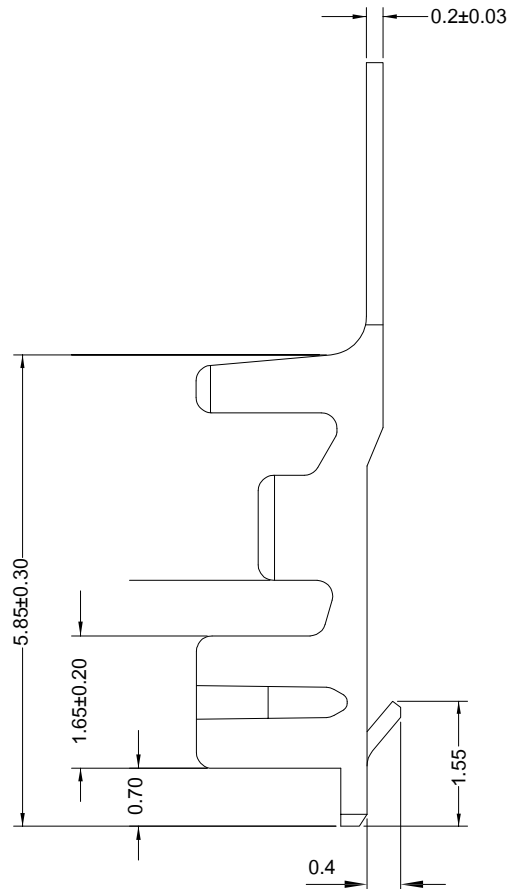
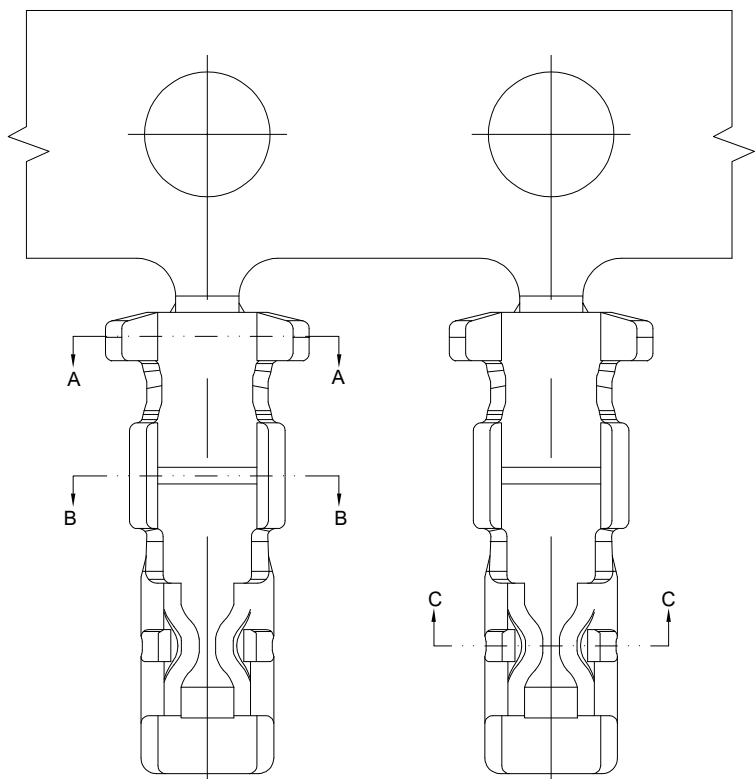
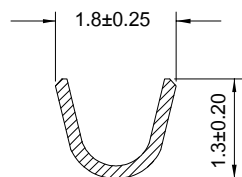
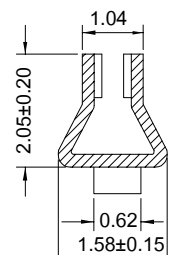
5

4

3

2

1

SECTION A-A
SCALE 1:1SECTION B-B
SCALE 1:1SECTION C-C
SCALE 1:1

EST2023 T P X - 2 X - X

↑ 界通代码+间距
↑ T示意端子
↑ P磷铜
↑ B紫铜
↑ E合金铜
↑ X普通脚
↑ H高脚
↑ X普通
↑ L长
↑ S短
↑ X公端
↑ G母端
↑ C示意90°
↑ S示意180°

0素材
2镀锡先冲后镀
3镀锡先镀后冲
4镀全镍(镀后冲)
4.2镀全镍先冲后镀
5G、15G示意镀金5U"或15U", 16示意镀金1U"

SPECIFICATIONS

- Voltage rating: 250V AC/DC;
- Current rating: 3A AC/DC;
- Withstanding Voltage: 650V AC/minute
- Insulation resistance: 1000MΩ Min
- Temperature range: -25°C ~ +85°C
- Contact resistance: 30mΩ Max
- Wire range: AWG#22~#28

日期版次 REVISION	日期 DATE	变更内容 DESCRIPTION	核 准 APPROVAL BY



东莞市羿通实业有限公司
DONGGUAN EASTOM ELECTRONIC Co., Ltd.

料号PART NO: EST2023TPX-2X-G

品名 TITLE: 2023-T

材料:

单位: MM

包装规格:

比例: 1:1

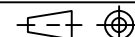
制图:

审核:

核准:

日期: 2022. 6. 23

一般公差
GENERAL TOLERANCE
X. X ±0.25
X. XX ±0.20
ANGLE ±1°



6

5

4

3

2

1

SL