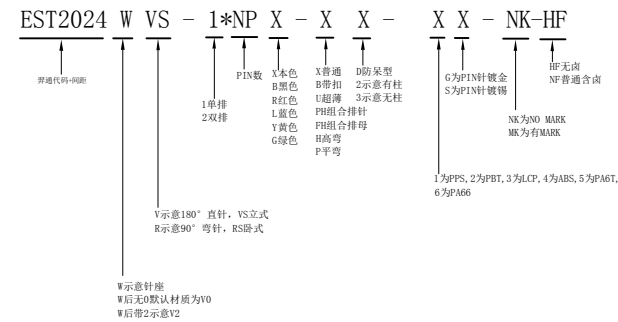
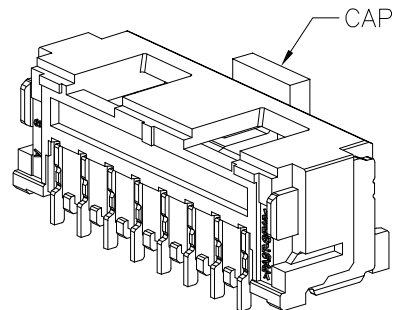
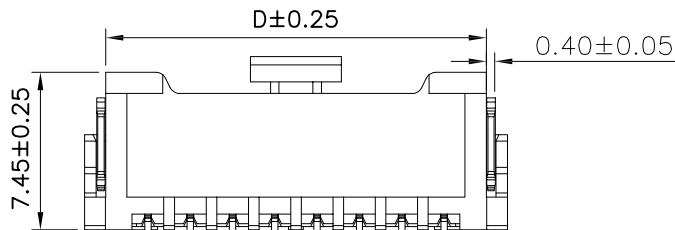
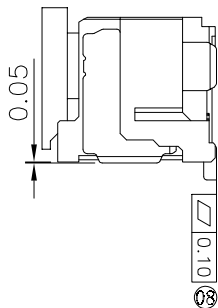
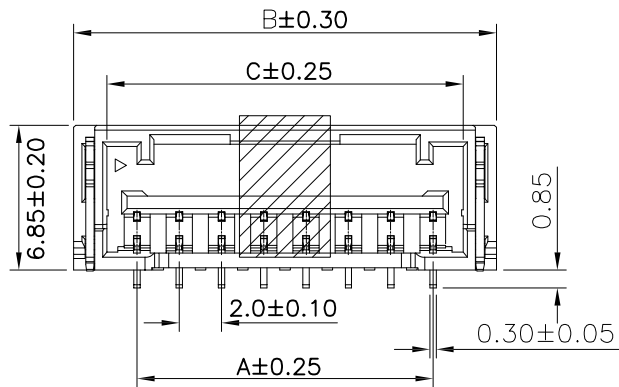


Recommended P.C.B LAYOUT  
General Tolerance±0.05



Poles	Dimensions (mm)				Poles	Dimensions (mm)			
	A	B	C	D		A	B	C	D
02	2.00	8.00	4.85	6.00	09	16.00	22.00	18.85	20.00
03	4.00	10.00	6.85	8.00	10	18.00	24.00	20.85	22.00
04	6.00	12.00	8.85	10.00	11	20.00	26.00	22.85	24.00
05	8.00	14.00	10.85	12.00	12	22.00	28.00	24.85	26.00
06	10.00	16.00	12.85	14.00	13	24.00	30.00	26.85	28.00
07	12.00	18.00	14.85	16.00	14	26.00	32.00	28.85	30.00
08	14.00	20.00	16.85	18.00	15	28.00	34.00	30.85	32.00

SPECIFICATIONS

- Voltage rating:250V AC/DC;
- Current rating:3A AC/DC;
- Withstanding Voltage:800V AC/minute
- Insulation resistance:1000MΩ Min
- Temperature range:-25℃~+85℃
- Contact resistance:20mΩ Max



东莞市羿通实业有限公司  
DONGGUAN EASTOM ELECTRONIC Co., Ltd.

料号PART NO: EST2024VS-1\*NPX-X

品名 TITLE: 2024-Wafer(立贴)

材料: 单位: MM 包装规格: 比例: 1:1

制图: 审核: 核准: 日期: 2022. 6. 24

一般公差  
GENERAL TOLERANCE  
X. X ±0.25  
X. XX ±0.20  
ANGLE ±1°

日期版次 REVISION	日期 DATE	变更内容 DESCRIPTION	核 准 APPROVALBY

