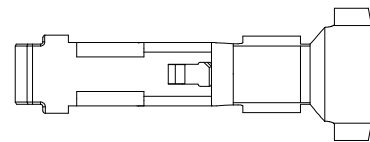
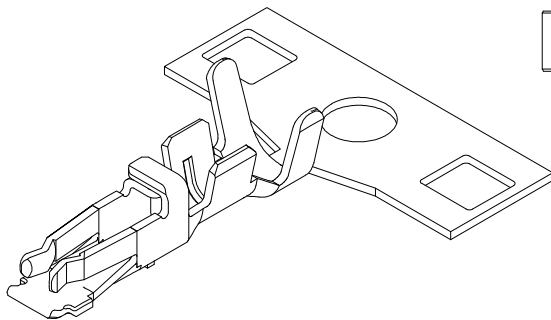
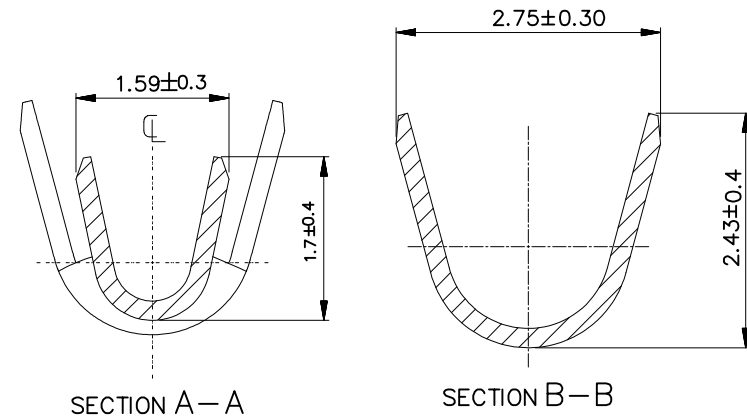
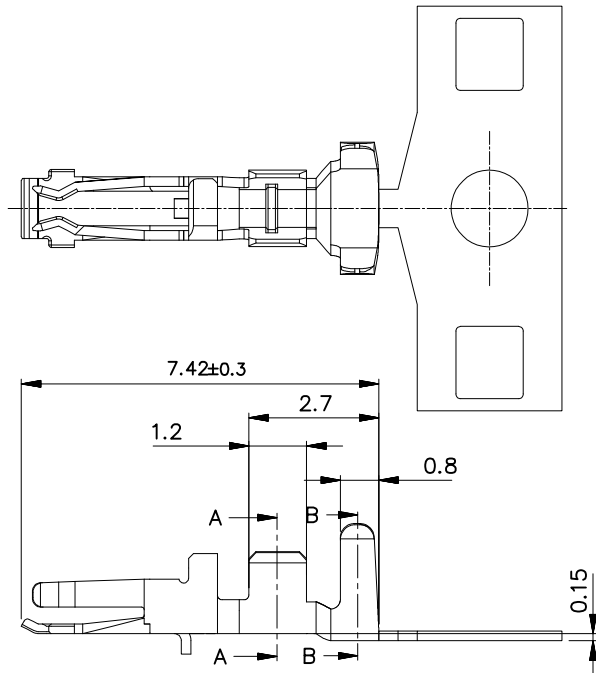
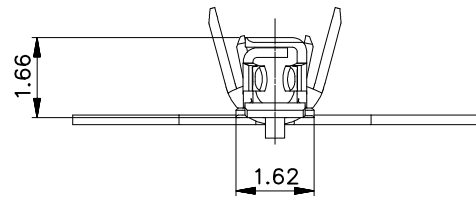


- NOTE
1. APCCABLE HOUSING
  2. PLEASE REFER TO CRIMP SPECIFICATION
  3. PLEASE REFER TO INSTRUCTION MANUAL
  4. Awg#22-#26,



东莞市羿通实业有限公司  
DONGGUAN EASTOM ELECTRONIC Co., Ltd.

料号PART NO: EST2027TPX-2X-G

品名 TITLE: ON2.0-T

材料: 磷铜	单位: MM	包装规格:	比例: 1:1
制图:	审核:	核准:	日期: 2022/03/11

一般公差  
GENERAL TOLERANCE  
X.X ±0.25  
X.XX ±0.20  
ANGLE ±1°

日期版次 REVISION	日期 DATE	变更内容 DESCRIPTION	核 准 APPROVALBY

Company Name :DONGGUAN EASTOM INDUSTRIAL CO.,LTD  
Address :1/2 WORKSHOP BUILDING NO.53 LONGYAN NINTH ROAD  
,HUMEI TOWN  
DONGGUAN GUANGDONG CHINA  
TELL:13790510059