

13790510059

5

4

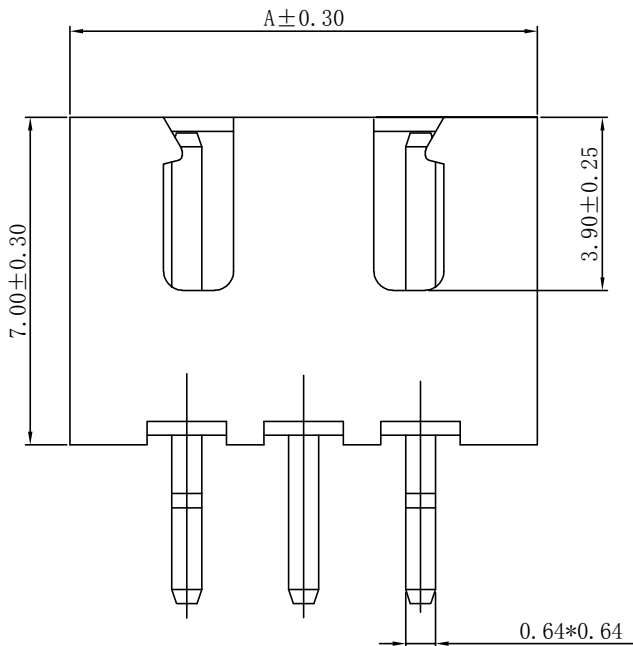
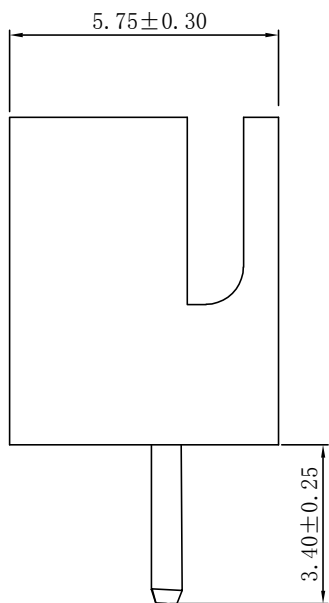
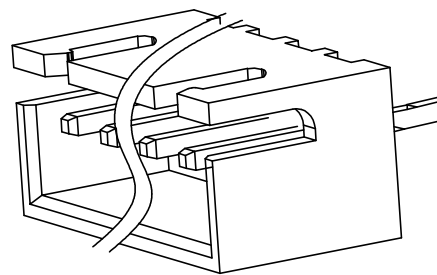
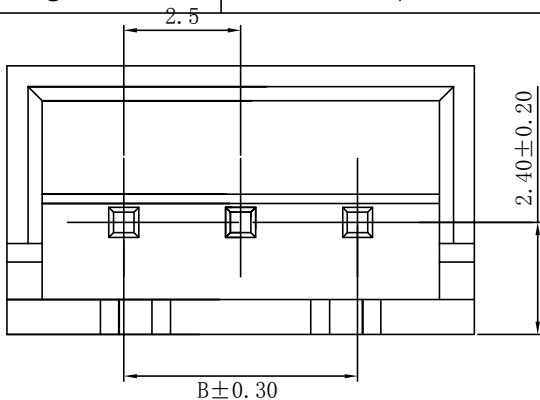
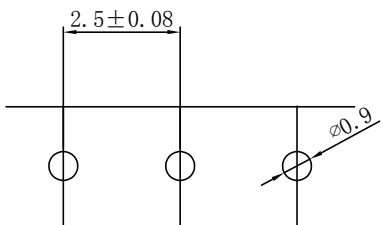
3

2

1

Recommended P.C.B Layout (Top Side)

P.C.B Thickness = 1.20mm  
(Tolerance=±0.05)



3P视图

Poles	Dimensions	
	A	B
1*2P	7.50	2.50
1*3P	10.00	5.00
1*4P	12.50	7.50
1*5P	15.00	10.00
1*6P	17.50	12.50
1*7P	20.00	15.00
1*8P	22.50	17.50
1*9P	25.00	20.00
1*10P	27.50	22.50
1*11P	30.00	25.00
1*12P	32.50	27.50
1*13P	35.00	30.00
1*14P	37.50	32.50
1*15P	40.00	35.00
1*16P	42.50	37.50

EST2501 W V - 1\*NP X - X - X X - NK-HF

↑ 羿通代码+间距      ↑ PIN数      ↑ X本色      ↑ X普通      ↑ G为PIN针镀金      ↑ HF无卤

↑ 1单排      ↑ B黑色      ↑ B带扣      ↑ S为PIN针镀锡      ↑ NF普通含卤

↑ 2双排      ↑ R红色      ↑ U超薄      ↑ PH组合排针      ↑ NK为NO MARK

↑ L蓝色      ↑ L蓝色      ↑ FH组合排母      ↑ H高弯      ↑ MK为有MARK

↑ Y黄色      ↑ K打脚      ↑ D防呆型      ↑ 2示意有柱      ↑ 1为PPS, 2为PBT, 3为LCP, 4为ABS, 5为PA6T, 6为PA66

↑ G绿色      ↑ L0带定位无K      ↑ KLO带定位打K

↑ V示意180°直针, VS立式      ↑ R示意90°弯针, RS卧式      ↑ RG高弯

↑ W示意针座      ↑ W后无0默认材质为V0      ↑ W后带2示意V2

■ SPECIFICATIONS

- Voltage rating: 250V AC/DC;
- Current rating: 3A AC/DC;
- Withstanding Voltage: 1000V AC/minute
- Insulation resistance: 1000MΩ Min
- Temperature range: -25°C ~ +85°C
- Contact resistance: 20mΩ Max

日期版次 REVISION	日期 DATE	变更内容 DESCRIPTION	核 准 APPROVAL BY

## 东莞市羿通实业有限公司

### DONGGUAN EASTOM ELECTRONIC Co., Ltd.

料号PART NO: EST2501WV-1\*NPX-X

品名TITLE: XH2.50直针(无K)

Material: Nylon 66. UL94V-0	Unit: <b>MM</b>	Q'ty/bao: 1000pcs	Scale: <b>1:1</b>
DR: 李 建	CHKD: 余 刚	APPD: 李海平	DATE: 2022/07/02

GENERAL TOLERANCE	
X.X	±0.15
X.XX	±0.05
ANGLE	±1°

EST

6

5

4

3

2

1