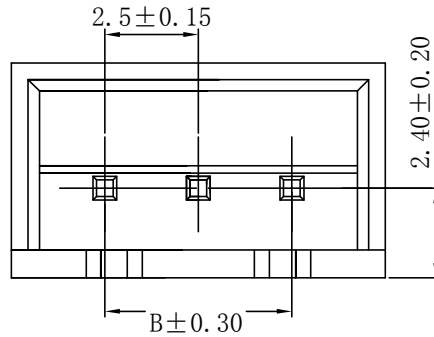
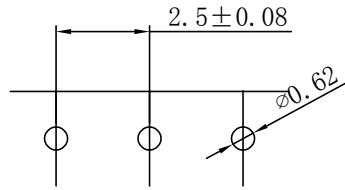


Recommended P.C.B Layout (Top Side)
P.C.B Thickness = 1.20mm
(Tolerance=±0.05)



EST2501 W V - 1*NP X - X - X X - NK-HF

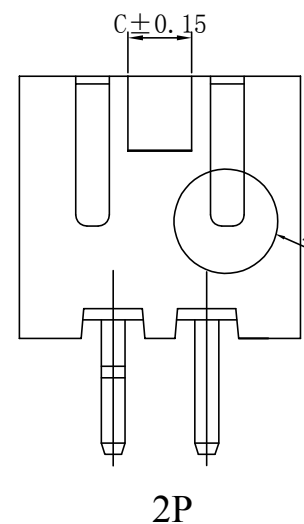
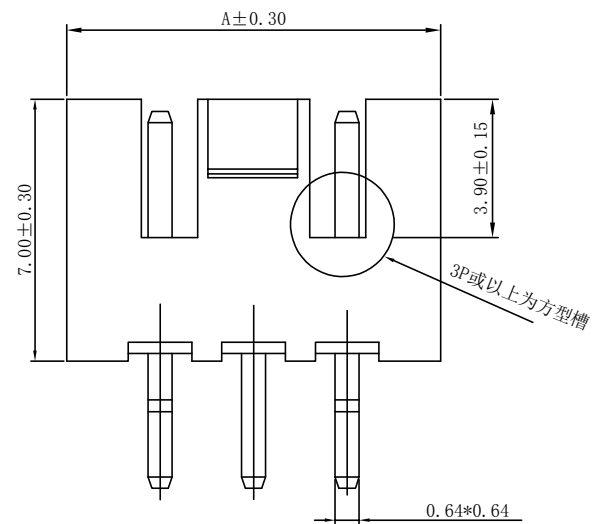
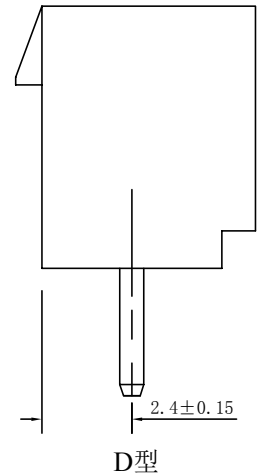
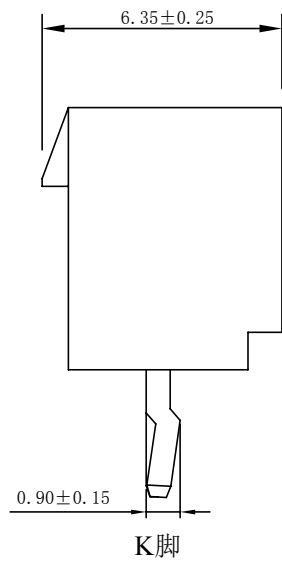
↑ ↑ ↑ ↑ ↑ ↑ ↑ ↑ ↑ ↑ ↑ ↑ ↑ ↑ ↑ ↑

↑ 异通代码+间距 ↑ PIN数 ↑ X本色 ↑ X普通 ↑ G为PIN针镀金 ↑ NK为NO MARK ↑ HF无卤 ↑

↑ 1单排 ↑ 2双排 ↑ B黑色 ↑ R红色 ↑ L蓝色 ↑ Y黄色 ↑ G绿色 ↑ P组合排针 ↑ F组合排母 ↑ H高弯 ↑ K打脚 ↑ D防呆型 ↑ 2示意有柱 ↑ 1为PPS, 2为PBT, 3为LCP, 4为ABS, 5为PA6T, 6为PA66 ↑

↑ V示意180°直针, VS立式 ↑ R示意90°弯针, RS卧式 ↑ 2示意有柱 ↑ LO带定位无K ↑ KLO带定位打K ↑

W示意针座
W后无0默认材质为V0
W后带2示意V2



PART NO. (180°)	Dimensions		
	A	B	C
2P	7.50	2.50	1.70
3P	10.00	5.00	1.7
4P	12.50	7.50	4.20
5P	15.00	10.00	6.7
6P	17.50	12.50	9.20
7P	20.00	15.00	11.7
8P	22.50	17.50	14.2
9P	25.00	20.00	16.7
10P	27.50	22.50	19.2
11P	30.00	25.00	21.7
12P	32.50	27.50	24.2
13P	35.00	30.00	26.7
14P	37.50	32.50	29.2
15P	40.00	35.00	31.7
16P	42.50	37.50	34.2

- SPECIFICATIONS
- Voltage rating: 250V AC/DC;
 - Current rating: 3A AC/DC;
 - Withstanding Voltage: 1000V AC/minute
 - Insulation resistance: 1000MΩ Min
 - Temperature range: -25°C ~ +85°C
 - Contact resistance: 20mΩ Max

日期版次 REVISION	日期 DATE	变更内容 DESCRIPTION	核 准 APPROVAL BY

EST DGEASTOM **东莞市羿通实业有限公司**
DONGGUAN EASTOM ELECTRONIC Co., Ltd.

PART NO: EST2501WV-1*NPX-B

TITLE: XH2.5直针(带扣打K)

Material: Nylon 66. UL94V-0 Unit: MM Q'ty/bao: 1000pcs Scale: 1:1

DR: 胡宗显 CHKD: 王成 APPD: 李海平 DATE: 2022/07/02

GENERAL TOLERANCE
X.X ±0.15
X.XX ±0.05
ANGLE ±1°