

13790510059

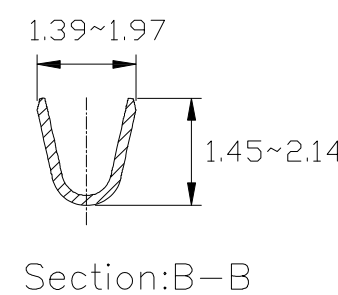
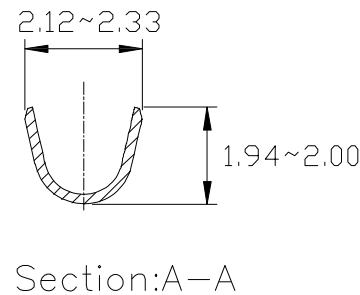
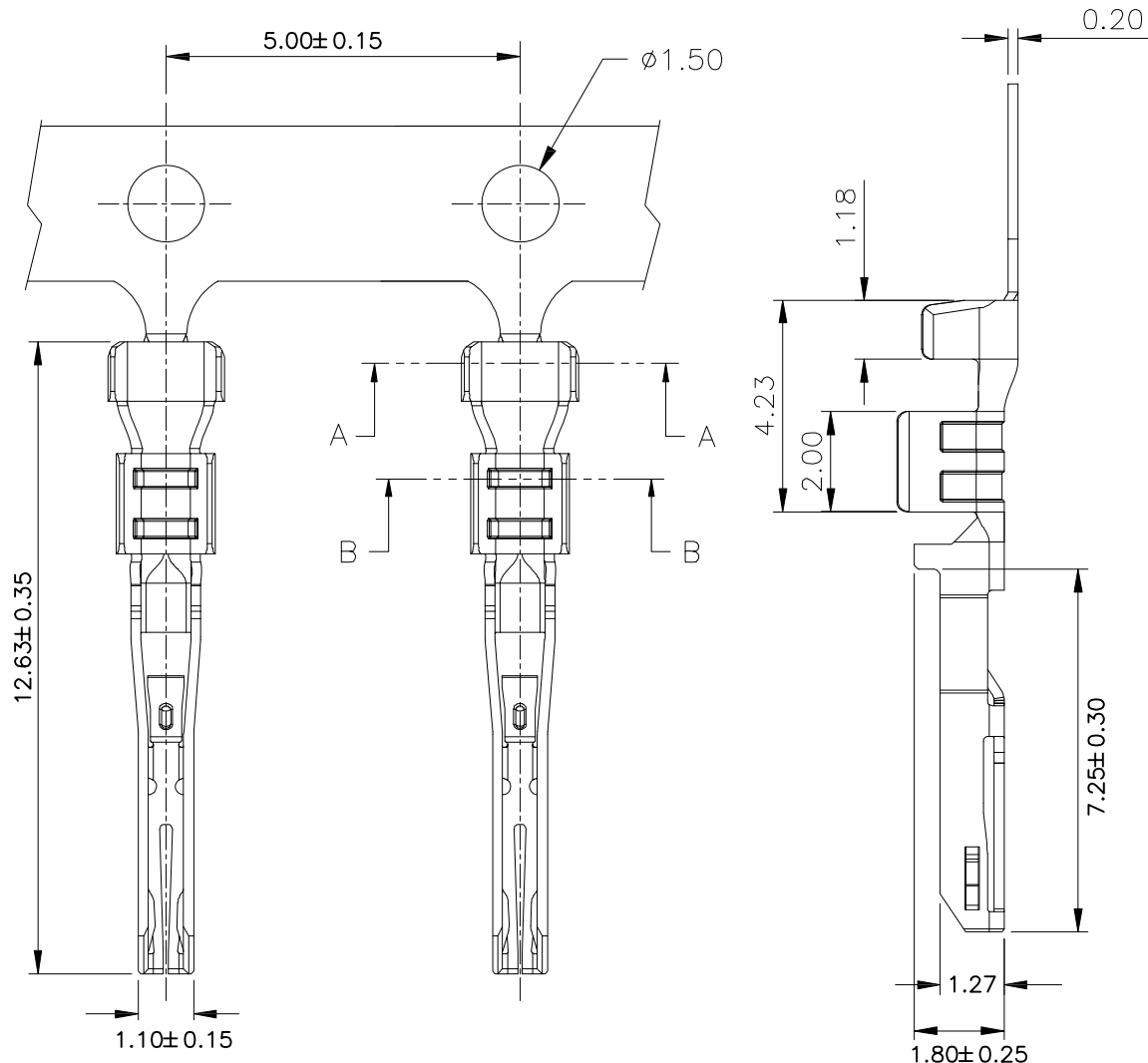
5

4

3

2

1



EST2526 T P X - 2 X- X

↑ 羿通代码+间距 ↑ T示意端子 ↑ X普通脚 ↑ H高脚 ↑ E增高型脚 ↑ X普通 ↑ L长 ↑ S短 ↑ U超薄

↑ P磷铜 ↑ B黄铜 ↑ E合金铜 ↑ 0素材 ↑ 2镀锡先冲后镀 ↑ 3镀锡先镀后冲 ↑ 4镀全镍(镀后冲) ↑ 4.2镀全镍先冲后镀 ↑ 5G、15G示意镀金5U"或15U", 16示意镀金1U"

X公端
G母端
C示意90°
S示意180°

- SPECIFICATIONS
- Thickness:0.2mm;
 - Material:High conductivity copper alloy;
 - Finish:Tin or gold plated;
 - Applicable wire:AWG#20~#26, OD:1.6mm;
 - Voltage rating:250V AC/DC;
 - Current rating:8A AC/DC;
 - Withstanding Voltage:1500V AC/minute
 - Insulatin resistance:1000MΩ Min
 - Temperature range:-25℃~+85℃
 - Contact resistance:20mΩ Max

东莞市羿通实业有限公司

DONGGUAN EASTOM ELECTRONIC Co., Ltd.

料号PART NO: EST2526TPX-2X-G				一般公差 GENERAL TOLERANCE	
品名 TITLE: 2526-T				X. X ±0.25	
材料:		单位: MM	包装规格:	X. XX ±0.20	
日期版次 REVISION		日期 DATE	变更内容 DESCRIPTION	核 准 APPROVALBY	比例: 1:1
制图:		审核:	核准:	日期: 2022. 3. 30	ANGLE ±1°

XDYT

6

5

4

3

2

1

XDYT