

13790510059

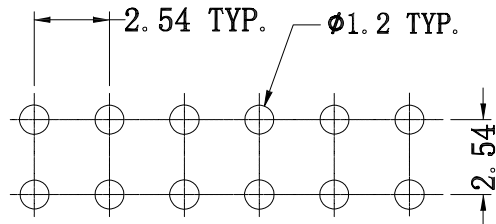
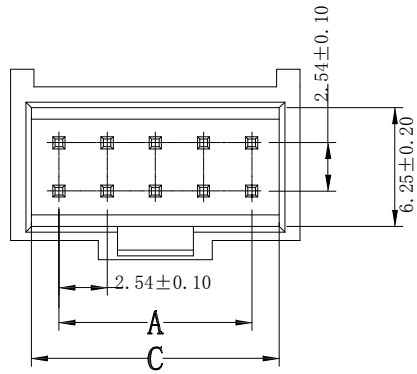
5

4

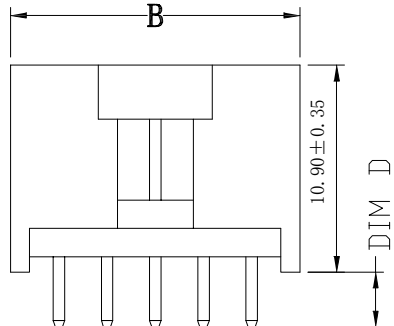
3

2

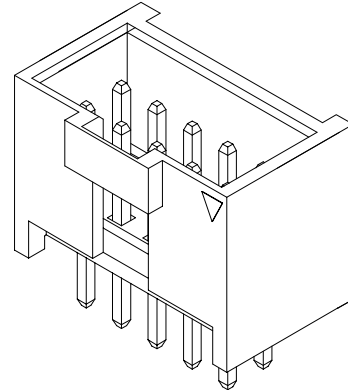
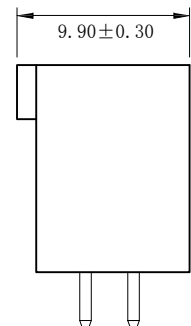
1



Poles	Dimensions (mm)		
	A	B	C
6	5.08	10.12	8.12
8	7.62	12.66	10.66
10	10.16	15.20	13.20
12	12.70	17.74	15.74
14	15.24	20.28	18.28
16	17.78	22.82	20.82
18	20.32	25.36	23.36
20	22.86	27.90	25.90
22	25.40	30.44	28.44
24	27.94	32.98	30.98
26	30.48	35.52	33.52
28	33.02	38.06	36.06
30	35.56	40.60	38.60
32	38.10	43.14	41.15
34	40.64	45.68	43.68
36	43.18	48.22	46.22
38	45.72	50.76	48.76
40	48.26	53.30	51.30



DIM D
2.50mm
2.90mm



EST2542 W V - 2*NP X - X X - X X - NK-HF

↑ ↑ ↑ ↑ ↑ ↑ ↑ ↑ ↑ ↑ ↑ ↑ ↑ ↑ ↑ ↑

↑ 羿通代码+间距 ↑ W 示意针座 ↑ V 示意180°直针, VS立式, R示意90°弯针, RS卧式 ↑ 2 示意双排 ↑ NP 示意 1单排, 2双排 ↑ X 示意 PIN数 ↑ X 本色, B黑色, R红色, L蓝色, Y黄色, G绿色 ↑ X 示意 1普通, B带扣, U超薄, PH组合排针, H高弯, P平弯 ↑ X 示意 D防呆型, 2示意有柱, 3示意无柱 ↑ X X 示意 PIN针, G为镀金, S为镀锡 ↑ NK 示意 HF无齿, NF普通含齿, NK为NO MARK, MK为有MARK

壳料: 1为PPS, 2为PBT, 3为LCP, 4为ABS, 5为PA6T, 6为PA66

Specifications

Voltage rating:250V AC/DC
 Current Rating:3A AC/DC
 Withstanding Voltage:1500V AC/Minute
 Insulation Range:1000mΩ Min
 Temperature Range:-25°C~+85°C
 Contact Resistance:20mΩ Max
 Pin material:Brass/Gold-flash or tin-plated
 Material:PBT, UL94V-0
 Q' ty Bag:1000PCS

日期版次 REVISION	日期 DATE	变更内容 DESCRIPTION	核 准 APPROVALBY

东莞市羿通实业有限公司

DONGGUAN EASTOM ELECTRONIC Co., Ltd.

料号PART NO: EST2542WV-2*NPX-X		一般公差 GENERAL TOLERANCE	
品名 TITLE: MX2.54(90119)直针(双排)		X.X ±0.30	
材料:	单位: MM	包装规格:	X.XX ±0.25
比例: 1:1	日期: 2021.11.4	审核:	ANGLE ±1°

6

5

4

3

2

1

LY