

13790510059

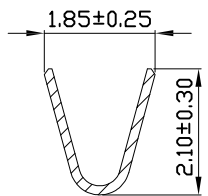
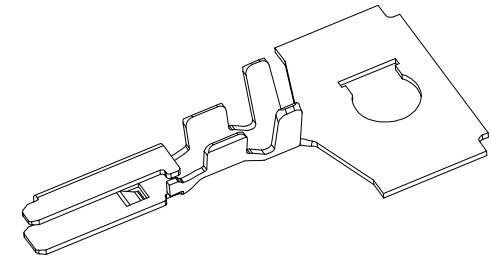
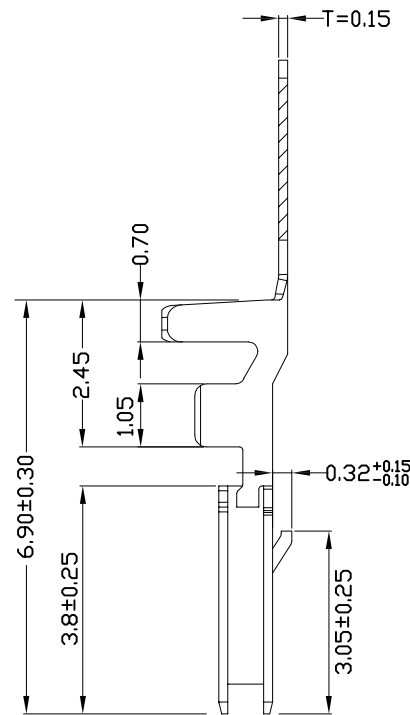
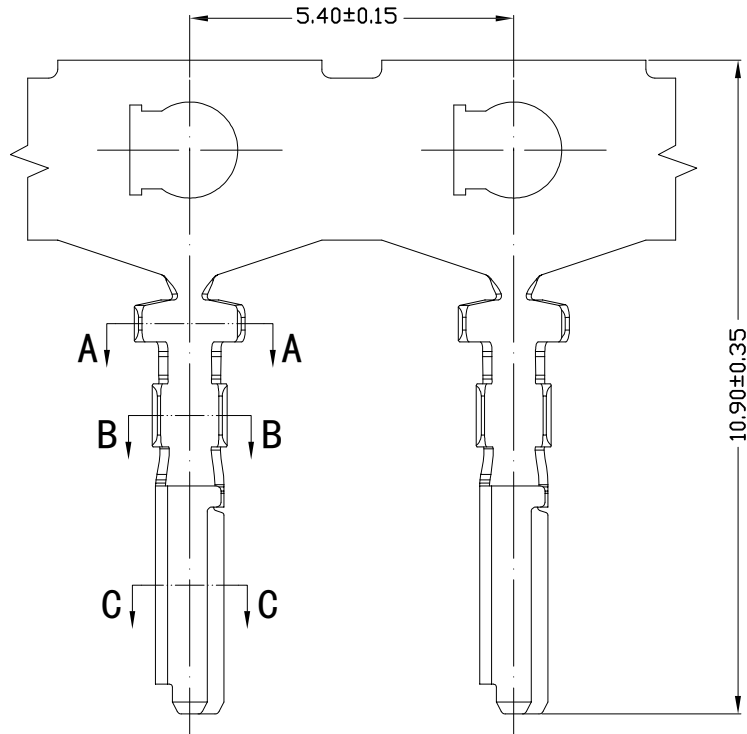
5

4

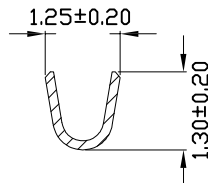
3

2

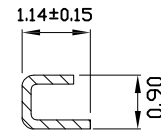
1



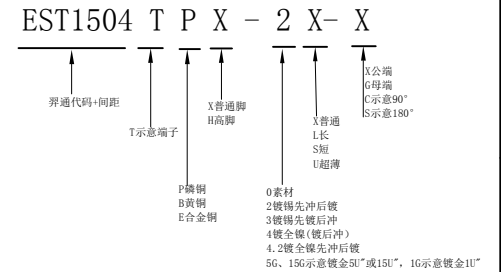
SECTION A-A  
SCALE:1:1



SECTION B-B  
SCALE:1:1



SECTION C-C  
SCALE:1:1



■ SPECIFICATIONS

- Voltage rating:100V AC/DC;
- Current rating:2A AC/DC;
- Withstanding Voltage:500V AC/minute
- Insulation resistance:500MΩ Min
- Temperature range:-40℃~+85℃
- Contact resistance:20mΩ Max
- Material:C5191
- After environmental testing:40 mΩ Max
- Wire range:#24~#28
- Insulation O. D.: 1.28mm Max



东莞市羿通实业有限公司  
DONGGUAN EASTOM ELECTRONIC Co., Ltd.

料号PART NO: EST1504TPX-2X-G

品名 TITLE: 1504-T

材料:

单位: MM

包装规格:

比例: 1:1

制图:

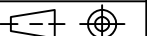
审核:

核准:

日期: 2022. 4. 20

一般公差  
GENERAL TOLERANCE  
X. X ±0.25  
X. XX ±0.20  
ANGLE ±1°

日期版次 REVISION	日期 DATE	变更内容 DESCRIPTION	核 准 APPROVALBY



SL